



Refrigerated Topping Rails

*Models RS-CN-0004-P, 0005-P, 0006-P, 0009-P
Items *40535, 40536, *39594, *39595*
Instruction Manual



Revised - 12/21/2020



Toll Free: 1-800-465-0234
Fax: 905-607-0234
Email: service@omcan.com
www.omcan.com

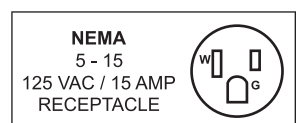


Table of Contents

Model RS-CN-0004-P / Model RS-CN-0005-P
Model RS-CN-0006-P / Model RS-CN-0009-P

Section	Page
Disclaimer -----	3
General Information -----	4 - 5
Safety and Warranty -----	5 - 7
Technical Specifications -----	7
Installation -----	7 - 9
Operation -----	10 - 11
Maintenance -----	11
Troubleshooting -----	12
Parts Breakdown -----	13 - 15
Electrical Schematics -----	16
Notes -----	17 - 18
Warranty Registration -----	19

Disclaimer

OMCAN IS NOT RESPONSIBLE FOR ANY DAMAGES DUE TO WATER LEAKS. WARRANTY FOR WATER LEAKS IS VOID IF THE WICKING PAD IS NOT REPLACED EVERY SIX MONTHS, AND IF THE AMBIENT ROOM TEMPERATURE EXCEEDS 75°F AND 55% RELATIVE HUMIDITY, AND THE APPLIANCE DRAIN IS NOT CONNECTED DIRECTLY TO THE FLOOR DRAIN.

General Information

Omcan Manufacturing and Distributing Company Inc., Food Machinery of America, Inc. dba Omcan and Omcan Inc. are not responsible for any harm or injury caused due to any person's improper or negligent use of this equipment. The product shall only be operated by someone over the age of 18, of sound mind, and not under the influence of any drugs or alcohol, who has been trained in the correct operation of this machine, and is wearing authorized, proper safety clothing. Any modification to the machine voids any warranty, and may cause harm to individuals using the machine or in the vicinity of the machine while in operation.

CHECK PACKAGE UPON ARRIVAL

Upon receipt of an Omcan shipment please inspect for external damage. If no damage is evident on the external packaging, open carton to ensure all ordered items are within the box, and there is no concealed damage to the machine. If the package has suffered rough handling, bumps or damage (visible or concealed), please note it on the bill of lading before accepting the delivery and contact Omcan within 24 hours, so we may initiate a claim with the carrier. A detailed report on the extent of the damage caused to the machine must be filled out within three days, from the delivery date shown in the shipping documents. Omcan has no recourse for damaged products that were shipped collect or third party.

Before operating any equipment, always read and familiarize yourself with all operation and safety instructions.

Omcan would like to thank you for purchasing this machine. It's of the utmost importance to save these instructions for future reference. Also save the original box and packaging for shipping the equipment if servicing or returning of the machine is required.

Omcan Fabrication et distribution Compagnie Limitée et Food Machinery d'Amérique, dba Omcan et Omcan Inc. ne sont pas responsables de tout dommage ou blessure causé du fait que toute personne ait utilisé cet équipement de façon irrégulière. Le produit ne doit être exploité que par quelqu'un de plus de 18 ans, sain d'esprit, et pas sous l'influence d'une drogue ou d'alcool, qui a été formé pour utiliser cette machine correctement, et est vêtu de vêtements de sécurité appropriés. Toute modification de la machine annule toute garantie, et peut causer un préjudice à des personnes utilisant la machine ou des personnes à proximité de la machine pendant son fonctionnement.

VÉRIFIEZ LE COLIS DÈS RÉCEPTION

Dès réception d'une expédition d'Omcan veuillez inspecter pour dommages externes. Si aucun dommage n'est visible sur l'emballage externe, ouvrez le carton afin de s'assurer que tous les éléments commandés sont dans la boîte, et il n'y a aucun dommage dissimulé à la machine. Si le colis n'a subi aucune mauvaises manipulations, de bosses ou de dommages (visible ou cachée), notez-le sur le bond de livraison avant d'accepter la livraison et contactez Omcan dans les 24 heures qui suivent, pour que nous puissions engager une réclamation auprès du transporteur. Un rapport détaillé sur l'étendue des dommages causés à la machine doit être rempli dans un délai de trois jours, à compter de la date de livraison indiquée dans les documents d'expédition. Omcan n'a aucun droit de recours pour les produits endommagés qui ont été expédiés ou cueilli par un tiers transporteur.



General Information

Avant d'utiliser n'importe quel équipement, toujours lire et vous familiariser avec toutes les opérations et les consignes de sécurité.

Omcan voudrais vous remercier d'avoir choisi cette machine. Il est primordial de conserver ces instructions pour une référence ultérieure. Également conservez la boîte originale et l'emballage pour l'expédition de l'équipement si l'entretien ou le retour de la machine est nécessaire.

Omcan Empresa De Fabricacion Y Distribucion Inc. Y Maquinaria De Alimentos De America, Inc. dba Omcan y Omcan Inc. no son responsables de ningun daño o perjuicio causado por cualquier persona inadecuada o el uso descuidado de este equipo. El producto solo podra ser operado por una persona mayor de 18 años, en su sano juicio y no bajo alguna influencia de droga o alcohol, y que este ha sido entrenado en el correcto funcionamiento de esta máquina, y ésta usando ropa apropiada y autorizada. Cualquier modificación a la máquina anula la garantía y puede causar daños a las personas usando la máquina mientras esta en el funcionamiento.

REVISE EL PAQUETE A SU LLEGADA

Tras la recepcion de un envio Omcan favor inspeccionar daños externos. Si no hay daños evidentes en el empaque exterior, Habra el carton para asegurarse que todos los articulos solicitados estén dentro de la caja y no encuentre daños ocultos en la máquina. Si el paquete ha sufrido un manejo de poco cuidado, golpes o daños (visible o oculto) por favor anote en la factura antes de aceptar la entrega y contacte Omcan dentro de las 24 horas, de modo que podamos iniciar una reclamación con la compañía. Un informe detallado sobre los daños causados a la máquina debe ser llenado en el plazo de tres días, desde la fecha de entrega que se muestra en los documentos de envío. Omcan no tiene ningun recurso por productos dañados que se enviaron a recoger por terceros.

Antes de utilizar cualquier equipo, siempre lea y familiarizarse con todas las instrucciones de funcionamiento y seguridad.

Omcan le gustaría darle las gracias por la compra de esta máquina. Es de la mayor importancia para salvar estas instrucciones para futuras consultas. Además, guarda la caja original y el embalaje para el envío del equipo si servicio técnico o devolución de la máquina que se requiere.

Safety and Warranty

Position on a flat, stable surface. A service agent/qualified technician should carry out installation and any repairs if required. Do not remove any components or service panels on this product. Consult Local and National Standards to comply with the following:

- Health and Safety at Work Legislation.
- Fire Precautions.
- IEE Wiring Regulations.
- Building Regulations.

Safety and Warranty

- The appliance is intended for commercial use.
- DO NOT attempt to service the item yourself.
- DO NOT use damaged appliances. If you are in any doubt, consult Omcan.
- DO NOT use electrical appliances inside the appliance (e.g. heaters, ice-cream makers etc.), unless they are of the type recommended by the manufacturer.
- Keep ventilation openings, in the appliance enclosure or in the built-in structure, clear of obstruction.
- DO NOT use mechanical device or other means to accelerate the defrosting process, other than those recommended by the manufacturer.
- DO NOT damage the refrigerant circuit.
- DO NOT stand or support yourself on the appliance or glass panel.
- DO NOT allow oil or fat to come into contact with the plastic components. Clean immediately if contact occurs.
- DO NOT place combustion, explosive or volatile article, corrosive acid or alkali, or liquid into the unit.
- DO NOT use this appliance to store medical supplies.
- DO NOT use jet/pressure washers to clean the appliance.
- DO NOT allow children to play with the packaging, and destroy plastic bags safely.
- Always carry, store and handle the appliance in a vertical position and move by holding the base of the appliance.
- Always switch off and disconnect the power supply to the unit before cleaning.
- Keep all packaging away from children. Dispose of the packaging in accordance with the regulations of local authorities.
- If the supply cord is damaged, it must be replaced by the manufacturer, its service agent or similarly qualified persons in order to avoid a hazard.
- This appliance is not intended for use by persons (including children) with reduced physical, sensory or mental capabilities, or lack of experience and knowledge, unless they have been given supervision or instruction concerning use of the appliance by a person responsible for their safety.
- Children should be supervised to ensure that they do not play with the appliance.
- For indoor used only. Not suitable for installation in an area where a water jet could be used. Must not be cleaned by a water jet.
- To guarantee safe operation, ensure that the appliance is set up and connected as described in the instruction manual.
- Any repairs and work on the appliance should only be carried out by the customer service department.
- Do not store explosive substances such as aerosol cans with a flammable propellant in this appliance.

1 YEAR PARTS AND LABOUR WARRANTY

Within the warranty period, contact Omcan Inc. at 1-800-465-0234 to schedule an Omcan authorized service technician to repair the equipment locally.

Unauthorized maintenance will void the warranty. Warranty covers electrical and part failures, not improper use.

Please see <https://omcan.com/disclaimer> for complete info.

Safety and Warranty

WARNING:

The packaging components are classified as normal solid urban waste and can therefore be disposed of without difficulty.

In any case, for suitable recycling, we suggest disposing of the products separately (differentiated waste) according to the current norms.

DO NOT DISCARD ANY PACKAGING MATERIALS IN THE ENVIRONMENT!

Technical Specifications

Model	RS-CN-0004-P	RS-CN-0005-P	RS-CN-0006-P	RS-CN-0009-P
Rated Power Input	160W			
Rated Current	1.2A	1.3A		
Consumption	1.2 kw/h		1.3 kw/h	1.4 kw/h
Refrigerant	R134a (120g)	R134a (125g)	R134a (130g)	R134a (155g)
Electrical	125V / 50Hz			
Volume	45 L / 1.6 cu.ft.	50 L / 1.8 cu.ft.	60 L / 2.1 cu.ft.	70 L / 2.5 cu.ft.
Temperature Range	2 - 10°C / 35.6 - 50°F			
Max Ambient Temp Rating	32°C / 90°F			
Foaming Agent	CP/IP			
Weight	99.2 lbs. / 45 kgs.	114.6 lbs. / 52 kgs.	121.3 lbs. / 55 kgs.	143.3 lbs. / 65 kgs.
Dimensions	47.2" x 15.6" x 8.9" 1200 x 395 x 225mm	55.1" x 15.6" x 8.9" 1400 x 395 x 225mm	59" x 15.6" x 8.9" 1500 x 395 x 225mm	78.7" x 15.6" x 8.9" 2000 x 395 x 225mm
Protection Class	I			
Noise	56dB			
Item Number	40535	40536	39594	39595

Installation

1. Remove the appliance from the packaging. Make sure that all protective plastic film and coatings are thoroughly removed from all surfaces. To prevent injury or damage to the unit, the appliance should be unpacked and set up by two people.
2. Maintain a distance of 20cm (7 inches) between the unit and walls or other objects for ventilation. Increase this distance if the obstacle is a heat source.

Installation

3. Level the appliance by adjusting the screw feet. It should be placed on the level solid surface to reduce the vibration and noise.
4. The ambient temperature must be between 10-32°C/50-89.6°F (Climatic Class 4). Avoid locating it in direct sunlight or near heat source such as an oven or a radiator.
5. Please make sure the appliance is properly ventilated.
6. Power supply and voltage at the operating point that complies with the details on the rating label. The plug must be accessible after installation.
7. Correctly connect and disconnect the plug. When insert the plug, it must be plugged tightly when pulling out the plug, the plug should be held by hand. Never pull the supply cord directly.
8. If the showcase is to be shut down for long period, switch it off and disconnect the plug from socket outlet. Clean the appliance and leave the lid open to prevent odor.
9. Important! For your personal safety, this appliance must be properly grounded. This appliance is equipped with a cord having a grounding wire with a grounding plug. The plug must be inserted into an outlet that is properly grounded and installed. Consult a qualified electrician or service center if you do not completely understand the grounding instructions. If doubt exists as to whether the appliance is properly grounded, have a qualified electrician check the circuit to make sure the outlet is properly grounded.
10. If the cable does not reach the nearest socket, either rearrange your store layout or ask a qualified electrician to fix a new socket. Do not use an extension cord.
11. If power is cut off, wait for at least 3 minutes before restart the unit to avoid damaging the compressor.

INSTALLATION OF FIT GLASS PANELS

ATTENTION: RISK OF BREAK WITH THE GLASS PANEL.

Note: Ensure the hole in the collar for the grub screw faces inwards.

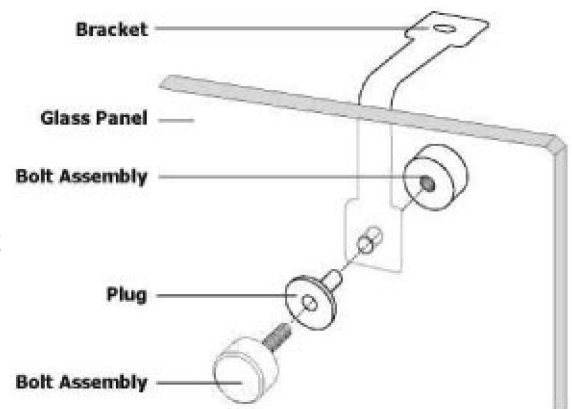
Note: Ensure the screw hole furthest from the edge of the panel goes to the back of the appliance.

Note: Ensure the soft end of the grub screw is the end making contact with the glass.

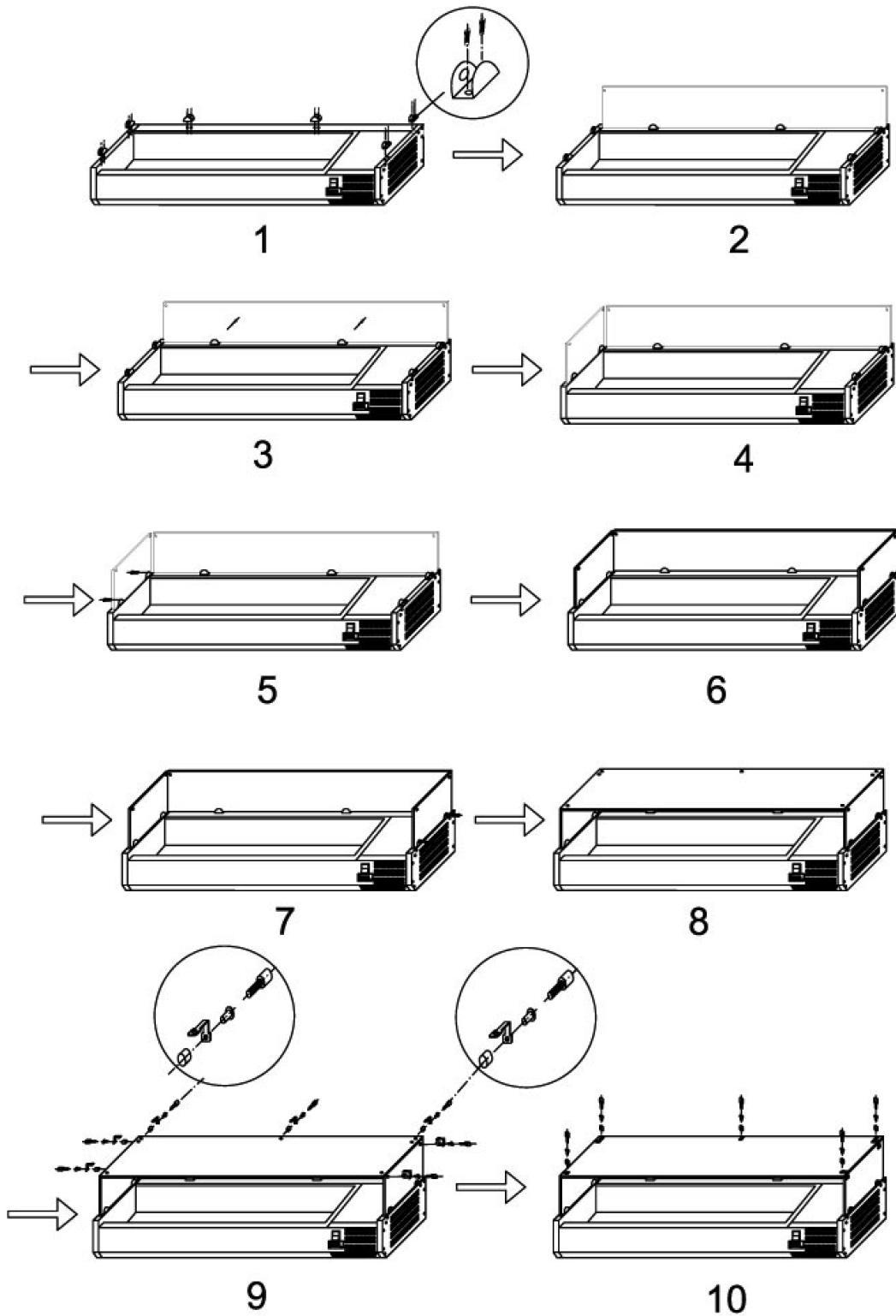
Note: Ensure the short end of the bolt assembly is on the outside of the panels.

Note: The glass panel must not be used as shelf.

1. Unpack the wooden/carton box carefully; it's recommended to do this work with two people.
2. Screw the collars to the rim of the appliance.
3. Slot the two side panels into the collars, with the holes in the glass at the top.
4. Screw a grub screw into each collar to secure the panels.
5. Slot the rear panel into the collars, with the holes in the glass at the top.
6. Screw a grub screw into each collar to secure the panel.
7. Slot the plastic bushes into each of the holes.
8. Screw the brackets to the inside of each panel using the bolt assemblies.
9. Place the top panel onto the brackets, ensuring all holes line up.
10. Insert the bush and attach the top panel to the brackets with the bolt assemblies.



GLASS PANEL ASSEMBLY GUIDE



Operation

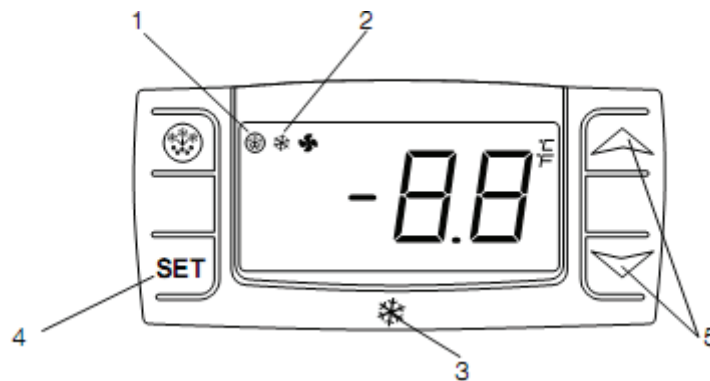
STORING FOOD

To get the best results from your appliance, follow these instructions: Only store foodstuffs in the appliance when it has reached the correct operating temperature. Ensure GN container bays are full at all times, even if the GN containers are unused or empty. Empty bays will greatly reduce efficiency of the appliance.

TURN ON

1. Ensure the power switch is set to [O] and turn on at the socket.
2. Switch on the Power [I]. The current temperature within the appliance is displayed.
3. The ✱ on the control panel flash for 3 min for anti-short cycle delay between the motor compressor stop and the following restart.

TEMPERATURE SETTING AND CONTROL



1. Defrosting light.
2. Compressor operation light.
3. Digital thermostat.
4. Programming key (service agent only).
5. Temperature modification keys.

HOW TO SEE THE SET POINT

1. Push and immediately release the SET key, the set point will be showed.
2. Push and immediately release the SET key or wait about 5s to return to normal visualization.

HOW TO CHANGE THE SET POINT

1. Push the SET key for more than 2 seconds to change the set point value.
2. The value of the set point will be displayed and the "°C" starts blinking.
3. To change the set value push the UP or DOWN arrows within 10s.
4. To memories the new set point value push the SET key again or waits 10s.


MANUAL DEFROST

The appliance will automatically run a defrost cycle every 12 hours.

Operation

Note: The cycle starts from the time the appliance is initially powered up.

To manually defrost the appliance:

1. Press and hold the DEFROST  button for 5 seconds.
2. The defrost cycle will start immediately and the Defrost LED illuminates. The defrost will last 20 minutes.

Note: Starting a manual defrost also resets the automatic defrost timer. The next automatic defrost will start 12 hours after the manual defrost has finished.

Maintenance

ROUTINE MAINTENANCE

Switch off and disconnect from the power supply before cleaning.

- Clean the enclosure and interior of the appliance as often as possible.
- Wash the unit with moist cloth. Never allow the switch, control panel, cable or plug to get wet.
- Do not use abrasive cleaning agents. These can leave harmful residues. Use only mild soapy water.
- Ensure that no cleaning water penetrates into the electrical components.
- Must not be cleaned by a water jet.
- Always wipe dry after cleaning with soft cloth.
- Take care when cleaning the rear of the appliance.
- An agent or qualified technician must carry out repairs if required.
- If the appliance is to be left inactive for long periods, unplug the appliance after having turned the switch to OFF position, empty the refrigerating compartment and clean thoroughly.

SPECIAL MAINTENANCE

The instructions given in the following paragraph are for SKILLED PERSON.

- Periodically clean the condenser using suitable tools (vacuum cleaner or soft brushes).
- Check that the electrical connections are not loose.
- Check that the thermostat and the sensor are in proper working order.
- Recommend that an agent or qualified technician clean the condenser.

Troubleshooting

Fault	Probable Cause	Action
The appliance is not working.	The unit is not switched on.	Check the unit is plugged in correctly and switched on.
	Plug and lead are damaged.	Call your agent or qualified technician.
	Fuse in the plug has blown.	Replace the fuse (GB).
	Power supply.	Check power supply.
	Internal wiring fault.	Call your agent or qualified technician.
The appliance turns on, but the temperature is too high / low.	Too much ice on the evaporator.	Defrost the appliance.
	Condenser blocked with dust.	Call your agent or qualified technician.
	Appliance is located near a heat source or air flow to the condenser is being interrupted.	Move the refrigerator to a more suitable location.
	Ambient temperature is too high.	Increase ventilation or move appliance to a cooler position.
	Unsuitable foodstuffs are being stored in the appliance.	Remove any excessive hot foodstuffs or blockages to the fan.
	Appliance is overloaded.	Reduce the amount of food stored in the appliance.
The appliance is unusually loud.	Loose nut/screw.	Check and tighten all nuts and screws.
	The appliance has not been installed in a level or stable position.	Check installation position and change if necessary.

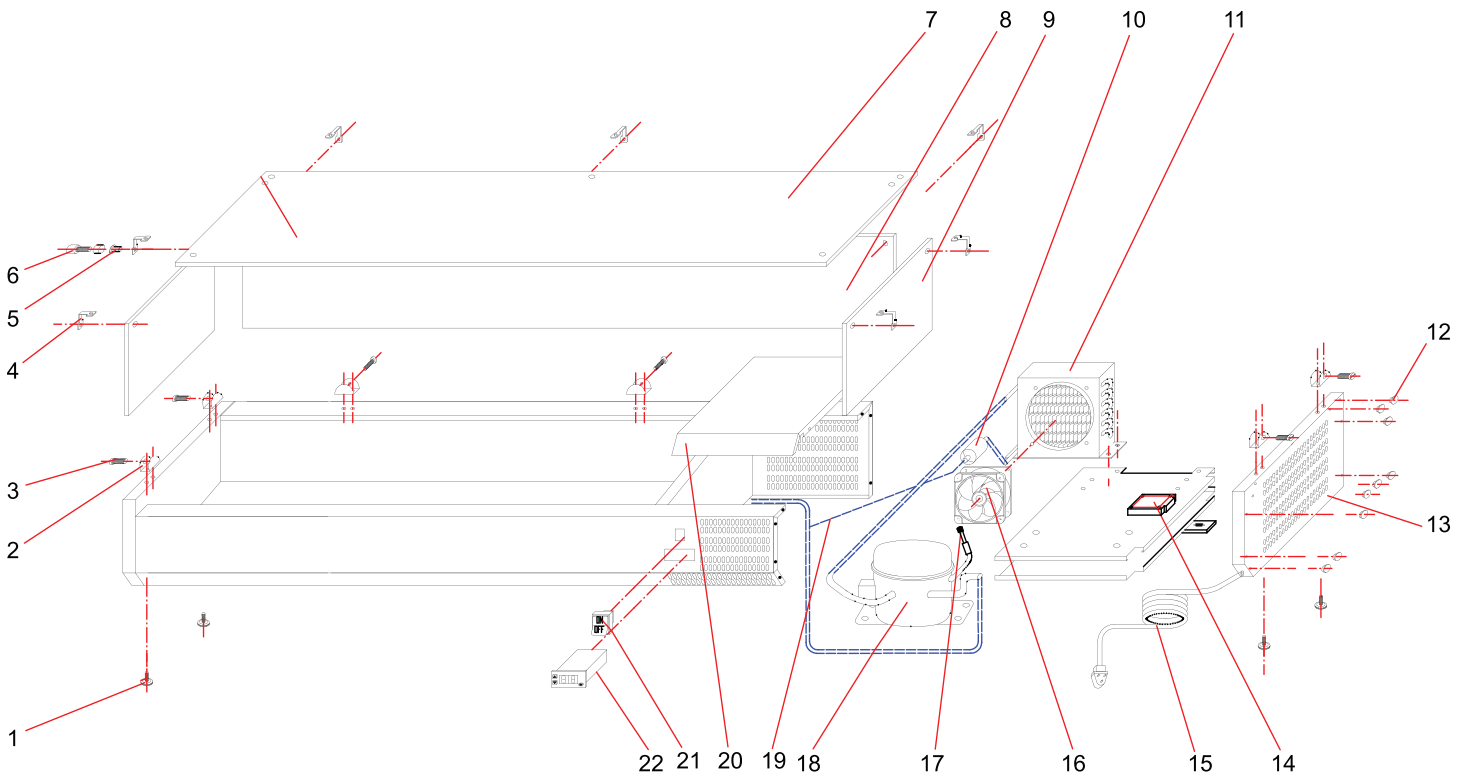
Parts Breakdown

Model RS-CN-0004-P 40535

Model RS-CN-0005-P 40536

Model RS-CN-0006-P 39594

Model RS-CN-0009-P 39595



Parts Breakdown

Model RS-CN-0004-P 40535

Item No.	Description	Position	Item No.	Description	Position	Item No.	Description	Position
74633	Feet for 40535	1	74641	Side Glass for 40535	9	74649	Charging Valve for 40535	17
74634	Glass Fixing Clip for 40535	2	74642	Filter Drier for 40535	10	74650	Compressor for 40535	18
74635	Glass Fixing Screw for 40535	3	74643	Condenser for 40535	11	74651	Capillary Tube for 40535	19
74636	Glass Linking Clip for 40535	4	74644	Plastic Cap for 40535	12	74652	Unit Room Cover for 40535	20
74637	Bushing for 40535	5	74645	Side Cover for 40535	13	74653	Main Switch for 40535	21
74638	Glass Fixing Nut Bolt for 40535	6	74646	Junction Box for 40535	14	42142	Dixell Thermostat for 40535	22
74639	Top Glass for 40535	7	74647	Plug for 40535	15	60983	Pan Divider (13" x 1.5") for 40535	
74640	Back Glass for 40535	8	74648	Condenser Fan for 40535	16			

Model RS-CN-0005-P 40536

Item No.	Description	Position	Item No.	Description	Position	Item No.	Description	Position
42122	Feet for 40536	1	42129	Side Glass for 40536	9	42137	Charging Valve for 40536	17
42123	Glass Fixing Clip for 40536	2	42130	Filter Drier for 40536	10	42138	Compressor for 40536	18
42124	Glass Fixing Screw for 40536	3	42131	Condenser for 40536	11	42139	Capillary Tube for 40536	19
42125	Glass Linking Clip for 40536	4	42132	Plastic Cup for 40536	12	42140	Unit Room Cover for 40536	20
42126	Bushing for 40536	5	42133	Side Cover for 40536	13	42141	Main Switch for 40536	21
42127	Glass Fixing Nut Bolt for 40536	6	42134	Junction Box for 40536	14	42142	Dixell Thermostat for 40536	22
42128	Top Glass 78x15.5 for 40536	7	42135	Plug for 40536	15	60983	Pan Divider (13"x1.5") for 40536	
41519	Back Glass 78x7.5 for 40536	8	42136	Condenser Fan for 40536	16			



Parts Breakdown

Model RS-CN-0006-P 39594

Item No.	Description	Position	Item No.	Description	Position	Item No.	Description	Position
74619	Feet for 39594	1	74624	Junction Box for 39594	14	74630	Unit Room Cover for 39594	20
43023	Glass Sneeze Guard Entire Set for 39594	2 - 9	74625	Plug for 39594	15	74631	Main Switch for 39594	21
74620	Filter Drier for 39594	10	74626	Condenser Fan for 39594	16	42142	Dixell Thermostat for 39594	22
74621	Condenser for 39594	11	74627	Charging Valve for 39594	17	60983	Pan Divider (13"x1.5") for 39594	
74622	Plastic Cap for 39594	12	74628	Compressor for 39594	18			
74623	Side Cover for 39594	13	74629	Capillary Tube for 39594	19			

Model RS-CN-0009-P 39595

Item No.	Description	Position	Item No.	Description	Position	Item No.	Description	Position
74597	Feet for 39595	1	74605	Side Glass for 39595	9	74613	Charging Valve for 39595	17
74598	Glass Fixing Clip for 39595	2	74606	Filter Drier for 39595	10	74614	Compressor for 39595	18
74599	Glass Fixing Screw for 39595	3	74607	Condenser for 39595	11	74615	Capillary Tube for 39595	19
74600	Glass Linking Clip for 39595	4	74608	Plastic Cap for 39595	12	74616	Unit Room Cover for 39595	20
74601	Bushing for 39595	5	74609	Side Cover for 39595	13	74617	Main Switch for 39595	21
74602	Glass Fixing Nut Bolt for 39595	6	74610	Junction Box for 39595	14	42142	Dixell Thermostat for 39595	22
74603	Top Glass for 39595	7	74611	Plug for 39595	15	60983	Pan Divider (13"x1.5") for 39595	
74604	Back Glass for 39595	8	74612	Condenser Fan for 39595	16			

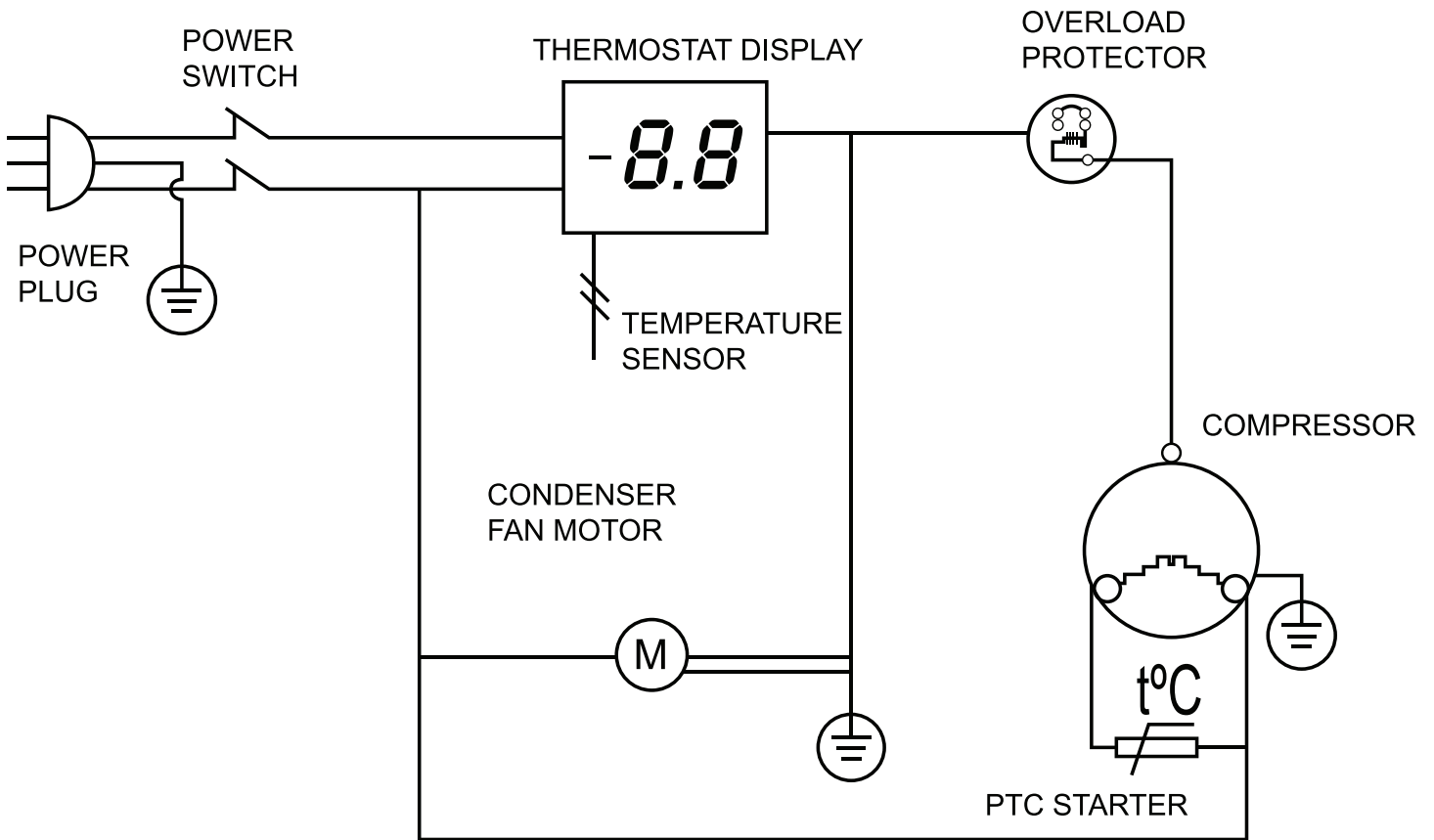
Electrical Schematics

Model RS-CN-0004-P 40535

Model RS-CN-0005-P 40536

Model RS-CN-0006-P 39594

Model RS-CN-0009-P 39595





Warranty Registration

Thank you for purchasing an Omcan product. To register your warranty for this product, complete the information below, tear off the card at the perforation and then send to the address specified below. You can also register online by visiting:

Merci d'avoir acheté un produit Omcan. Pour enregistrer votre garantie pour ce produit, complétez les informations ci-dessous, détachez la carte au niveau de la perforation, puis l'envoyer à l'adresse spécifiée ci-dessous. Vous pouvez également vous inscrire en ligne en visitant:

Gracias por comprar un producto Omcan usted. Para registrar su garantía para este producto, complete la información a continuación, cortar la tarjeta en la perforación y luego enviarlo a la dirección indicada a continuación. También puede registrarse en línea en:

<https://omcan.com/warranty-registration/>

For mailing in Canada

Pour postale au Canada

Por correo en Canadá

OMCAN

PRODUCT WARRANTY REGISTRATION

3115 Pepper Mill Court,

Mississauga, Ontario

Canada, L5L 4X5

For mailing in the US

Pour diffusion aux États-Unis

Por correo en los EE.UU.

OMCAN

PRODUCT WARRANTY REGISTRATION

4450 Witmer Industrial Estates, Unit 4,

Niagara Falls, New York

USA, 14305

or email to: service@omcan.com



Purchaser's Information

Name: _____

Address: _____

City: _____ Province or State: _____ Postal or Zip: _____

Country: _____

Dealer from which Purchased: _____

Dealer City: _____ Dealer Province or State: _____

Invoice: _____

Model Name: _____ Model Number: _____

Machine Description: _____

Date of Purchase (MM/DD/YYYY): _____

Would you like to extend the warranty? Yes No

Company Name: _____

Telephone: _____

Email Address: _____

Type of Company:

Restaurant Bakery Deli

Butcher Supermarket Caterer

Institution (specify): _____

Other (specify): _____

Serial Number: _____

Date of Installation (MM/DD/YYYY): _____

Thank you for choosing Omcan | Merci d'avoir choisi Omcan | Gracias por elegir Omcan



Since 1951 Omcan has grown to become a leading distributor of equipment and supplies to the North American food service industry. Our success over these many years can be attributed to our commitment to strengthen and develop new and existing relationships with our valued customers and manufacturers. Today with partners in North America, Europe, Asia and South America, we continually work to improve and grow the company. We strive to offer customers exceptional value through our qualified local sales and service representatives who provide convenient access to over 5,000 globally sourced products.

Depuis 1951 Omcan a grandi pour devenir un des “leaders” de la distribution des équipements et matériel pour l’industrie des services alimentaires en Amérique du Nord. Notre succès au cours de ces nombreuses années peut être attribué à notre engagement à renforcer et à développer de nouvelles et existantes relations avec nos clients et les fabricants de valeur. Aujourd’hui avec des partenaires en Amérique du Nord, Europe, Asie et Amérique du Sud, nous travaillons continuellement à améliorer et développer l’entreprise. Nous nous efforçons d’offrir à nos clients une valeur exceptionnelle grâce à nos ventes locales qualifiées et des représentants de service qui offrent un accès facile à plus de 5000 produits provenant du monde entier.

Desde 1951 Omcan ha crecido hasta convertirse en un líder en la distribución de equipos y suministros de alimentos en América del Norte industria de servicios. Nuestro éxito en estos años se puede atribuir a nuestro compromiso de fortalecer y desarrollar nuevas relaciones existentes con nuestros valiosos clientes y fabricantes. Hoy con socios de América del Norte, Europa, Asia y América del Sur, que trabajan continuamente para mejorar y crecer la empresa. Nos esforzamos por ofrecer a nuestros clientes valor excepcional a través de nuestro local de ventas y representantes de los servicios que proporcionan un fácil acceso a más de 5,000 productos con origen a nivel mundial.

